



MERMAC A-Frame Type 350-D-35/37



The hydraulically driven 35T Mermac A-frame provides a safe and efficient method of deploying and recovering large tools from the MV Coco.

Features and benefits

Luffing 35T SWL from inboard to outboard

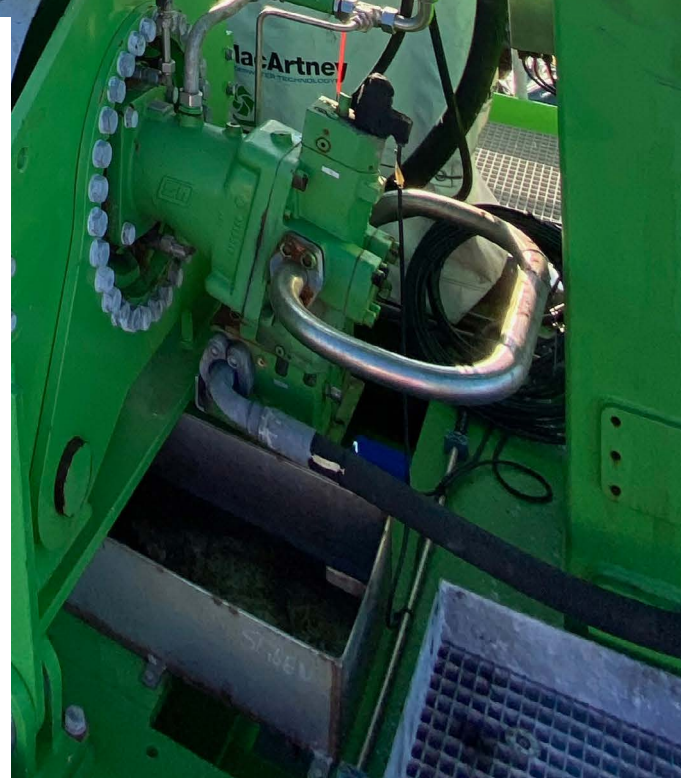
Latch beam with fail-safe latches for subsea docking and undocking of tools

Hydraulic power from vessel hydraulic systems.

Designed according to DNVGL-ST-0378

Remote operator control station integrated with Winch Control

7.8 m outreach to center line of cable



NOTE: Package configuration subject to change and will be customised for individual projects

1st Floor Tudor House
Le Bordage, St Peter Port
GY1 1DB, Guernsey

E: operations@magellan.gg
www.magellan.gg

MERMAC A-Frame Type 350-D-35/37

Specifications

A-Frame

Weight (excluding rope)	65,000kg
Length (deployed)	6,802mm
Width	4,272mm
Height (deployed)	10,401mm

Operating parameters

Distance between legs	7,500mm
Min Outreach (to centre line of cable from foundation edge)	7,800mm
SWL (Luffing)	35T

Latch beam

2 Hydraulic Tuggers with 35mm steel wire
20 T pull force each, in emergency mode 1 tugger
is capable of lifting full load at 12m/min

Snubber ring	2,650mm dia
---------------------	-------------

A-frame luffed In (height to deck)

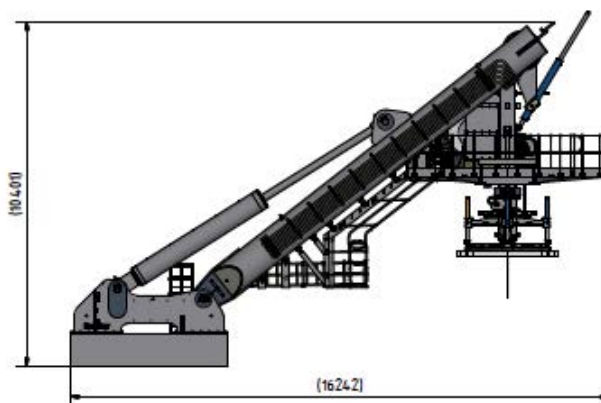
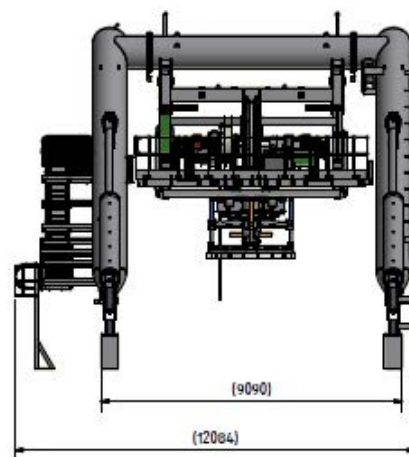
Latchbeam cylinders extended	4,100mm
Latchbeam cylinders retracted	5,600mm

Sheave wheel	2,590mm dia
---------------------	-------------

Dual groove

Umbilical / rope	50mm dia
Lyncsyn	Outer groove

Winch dimensions standard setup



NOTE: Package configuration subject to change
and will be customised for individual projects

1st Floor Tudor House
Le Bordage, St Peter Port
GY1 1DB, Guernsey

E: operations@magellan.gg
www.magellan.gg