

# Sonardyne 8242 Micro Compatt 6 LBL Transponder



MAGELLAN

The Micro Compatt 6 LBL Transponder is designed for short duration missions such as spoolpiece metrology or dynamic mobile mapping.

Its small size also means that Magellan can deploy multiple units in one trip to the seabed from one of its Work-class ROV - contributing to those all-important project time savings.

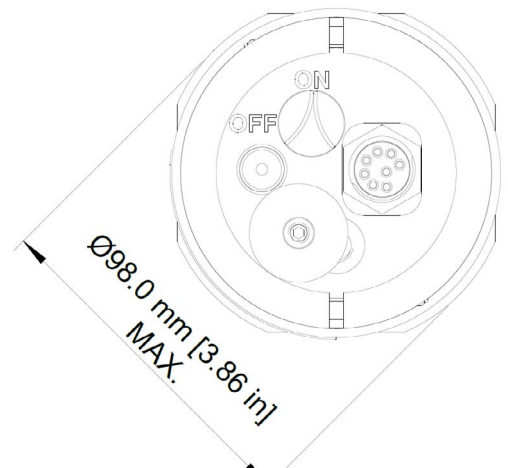
Although not as capable as its bigger brothers, Micro Compatt 6 offers the same accurate and robust positioning that 6G is known for. Plus, its small form factor reduces offsetting errors when used with a stab and receptacle for improved metrology results.

Micro Compatt 6 operates in Sonardyne Wideband®2 or HPR400 series tone modes with a variety of other acoustic systems and transponders. It is also fully compatible with

Sonardyne's family of survey quality LBL and USBL navigation systems of which Magellan operates several.

Micro Compatt 6 offers significant time saving using faster and more robust Sonardyne Wideband®2 acoustic ranging and telemetry protocols. This makes any system operating with Micro Compatt 6 significantly easier to operate therefore de-risking operations, reducing vessel time and reducing training requirements.

Sonardyne Wideband 2 advanced signal processing offers improved acoustic performance in challenging conditions, longer range, improved multipath rejection around structures and real-time range diagnostics for quality control. Sonardyne Wideband 2 also reduces the interference to and from adjacent Sonardyne and other acoustic positioning systems.



NOTE: Package configuration subject to change and will be customised for individual projects

1st Floor Tudor House  
Le Bordage, St Peter Port  
GY1 1DB, Guernsey

E: [operations@magellan.gg](mailto:operations@magellan.gg)  
[www.magellan.gg](http://www.magellan.gg)

# Sonardyne 8242 Micro Compatt 6 LBL Transponder

## Key Features

- Incorporates Sonardyne Wideband®2 acoustic navigation and telemetry technologies
- Compatible with both Fusion LBL and Ranger 2 USBL positioning systems
- Robust performance in shallow water and reverberant environments around structures
- Real time diagnostics available on ranges to enable quality control
- More than 500 unique Sonardyne Wideband 1 and 2 addresses
- Sonardyne Wideband 1 and HPR400 navigation compatible
- Internal pressure sensor
- Internal rechargeable battery
- Field proven
- On/off switch

## Typical Applications

- Spoolpiece Metrology
- Dynamic Mapping operations
- Use on inspection class vehicles

FEATURES		TYPE 8242-3111
Depth rating		3,000 m
Frequency band		MF (19-34 kHz)
Transducer beam shape		Omni-directional
Source level (re 1 µPa @ 1 m)	High power	187 dB
	Low power	181 dB
Tone Equivalent Energy (TEE)* WBv2+	High power	193 dB
	Low power	187 dB
Range precision		Better than 15 mm
Depth sensor		±0.5% full scale
Communications interface		RS232 (9,600—115,200 baud)
External supply voltage		24 or 48 V DC (±10%)
External power	Sleep Wideband Listening Battery Charging Peak (During Transmission)	<300 mW
Battery life (Li-ion 15 V)	Listening	30 Days
	Continuous 5 Sec Interrogation	Approx 6 days at low power
Mechanical construction		Anodised aluminium alloy and plastics
Operating temperature		-5 to 40°C
Storage temperature		-20 to 55°C
Dimensions (diameter x length)		93 x 499 mm
Weights in air/water**		5.1/2.2 kg

\*TEE – WBv2+ signals are 4x the duration of Sonardyne tone signals (WBv1 & WBv2 are 2x).  
The TEE figure shows the operational performance when comparing wideband and tone systems.



NOTE: Package configuration subject to change and will be customised for individual projects

1st Floor Tudor House  
Le Bordage, St Peter Port  
GY1 1DB, Guernsey

E: [operations@magellan.gg](mailto:operations@magellan.gg)  
www.magellan.gg