

MacArtney MERMAC R50 AHC Winch



MacArtney MERMAC R50AHC electrically driven winch's provide a robust high performance load handling system.

This Winch is fitted with 7000m of Dynlce synthetic rope delivering proven and reliable ultra deep water operations.

Features and benefits

Compact and modular design using standardised and ex-changeable components

Designed for easy integration with launch and recovery and moon pool handling systems

All structural components in painted carbon steel

Integrated protection frame and grating

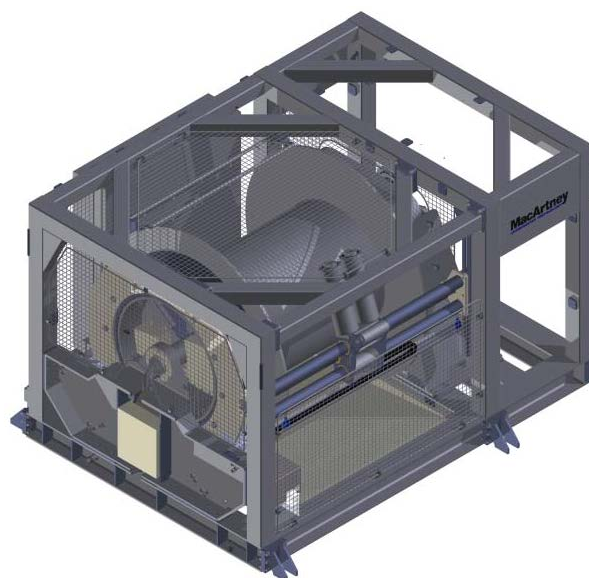
Frame mounted main switchbox

Electrically driven level wind

Designed according to DNV's Standard for Lifting Appliances Certification note 2.22

Long and proven track record

Low noise operation



NOTE: Package configuration subject to change and will be customised for individual projects

1st Floor Tudor House
Le Bordage, St Peter Port
GY1 1DB, Guernsey

E: operations@magellan.gg
www.magellan.gg

MacArtney MERMAC R50 AHC Winch

Specifications

Winch

Weight (Excluding rope)	36,000kg
Length	4990mm
Width (excluding sea fastenings)	3125mm
Height	2700mm

Rope

Manufacturer	Hampidjan
Type	Dynlce SK75
OD	18mm
Length (on drum)	7000mm
MBL	31T

Winch performance

Bottom Layer

Max Pull Force	215kN
SWL	195kN
Speed (nominal)	0-72m/min

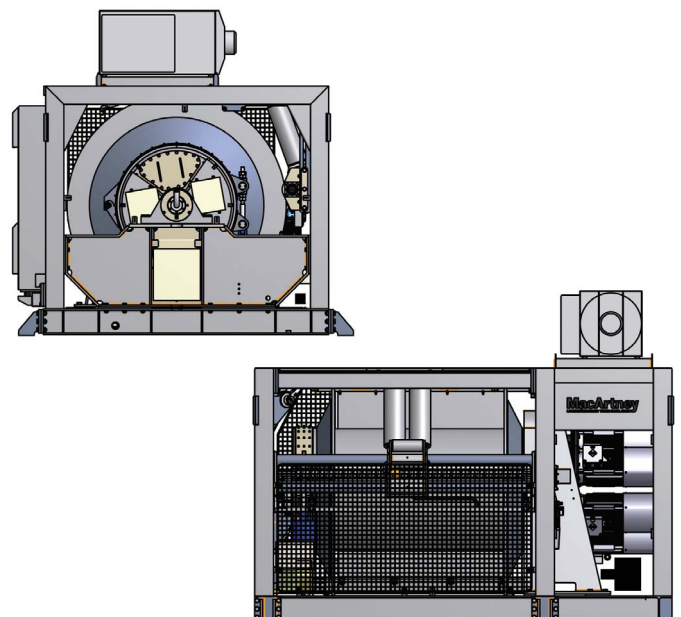
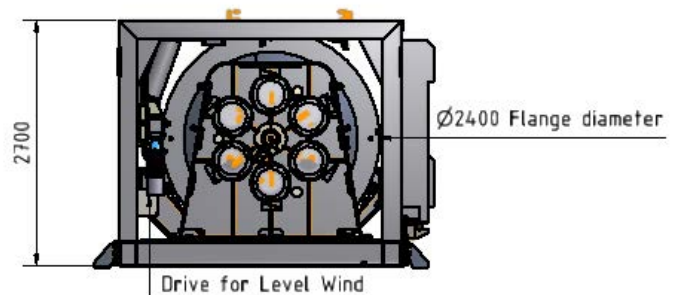
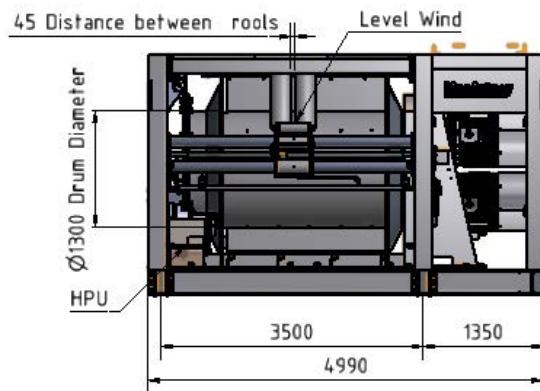
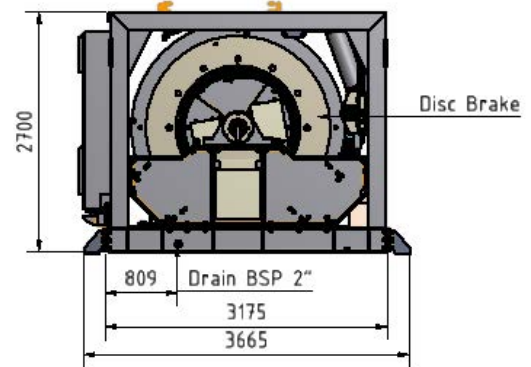
Top Layer

Max Pull Force	130kN
SWL	119kN
Speed (nominal)	0-116m/min

Rope

Overall Diameter	18mm
Breaking Strength (Unspliced)	31T
Weight In Air	0.219kg/m
Weight In Sea Water	-0.018kg/m
Max Working Temp	65° C

Winch dimensions standard setup



NOTE: Package configuration subject to change and will be customised for individual projects

1st Floor Tudor House
Le Bordage, St Peter Port
GY1 1DB, Guernsey

E: operations@magellan.gg
www.magellan.gg